

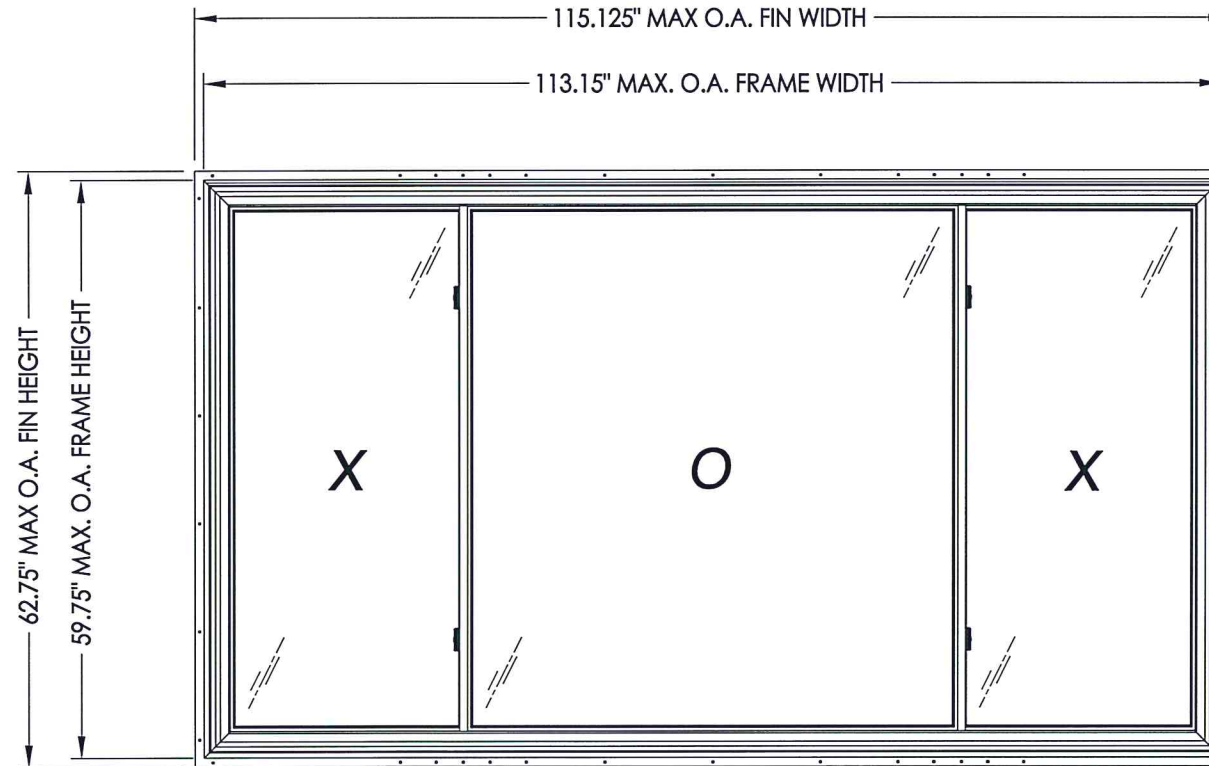
Doers Window
MANUFACTURING
 4901 Oak Fair Blvd., Tampa, FL 33610

Sashlite - 3 Slider XOX w/ Nailing Fin "NON-IMPACT"

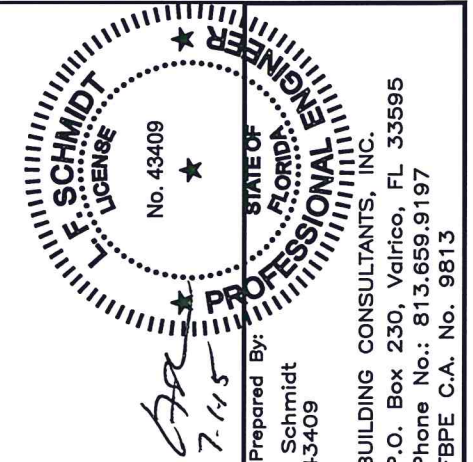
GENERAL NOTES

1. This product anchoring drawing has been evaluated and is in compliance with the 5th Edition (2014) Florida Building Code (FBC) excluding the "High Velocity Hurricane Zone" (HVHZ). See the Certification Agency Certificate for sizes, specifications & ratings.
2. Product anchors shall be as listed and spaced as shown on details. Anchor embedment to base material shall be beyond wall dressing or stucco.
3. When used in areas requiring wind borne debris protection this product is required to be protected with an impact resistant covering that complies with Section 1609.1.2 of the FBC.
4. Site conditions that deviate from the details of this drawing require further engineering analysis by a licensed engineer or registered architect.

TABLE OF CONTENTS	
SHEET#	DESCRIPTION
1	Typical elevations, design pressures & general notes
2	Horizontal and vertical cross sections
4	Buck and frame anchoring
5	Bill of materials, glazing details and components



MAX O.A. FIN DIMENSION	FRAME DIMENSION	MAX. DAY LIGHT OPENING DIMENSION (FIXED)	MAX. DAY LIGHT OPENING DIMENSION (OPERABLE)	GLASS TYPE	DESIGN PRESSURE (PSF)	
					POS.	NEG.
115.125" x 62.75"	112.0" x 59.75"	52.0" x 53.5"	25.5" x 53.5"	G1	+20.0	-20.0



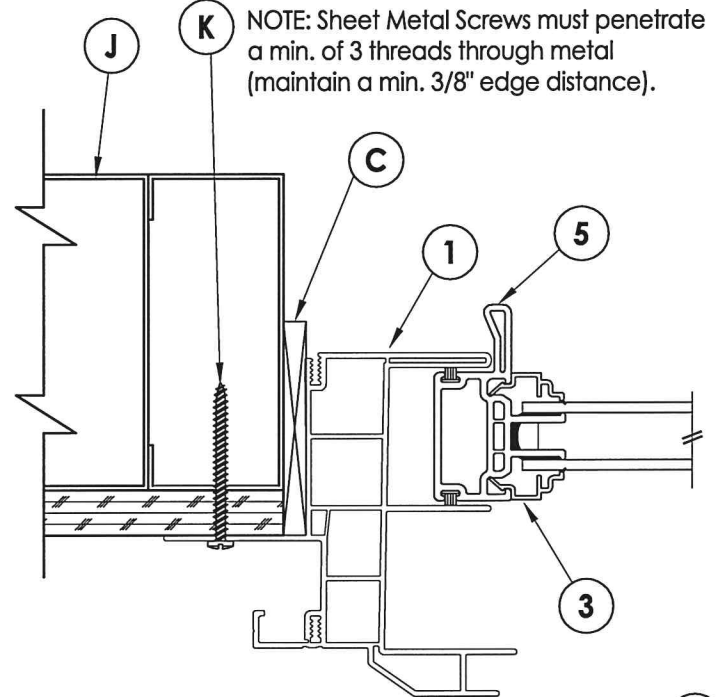
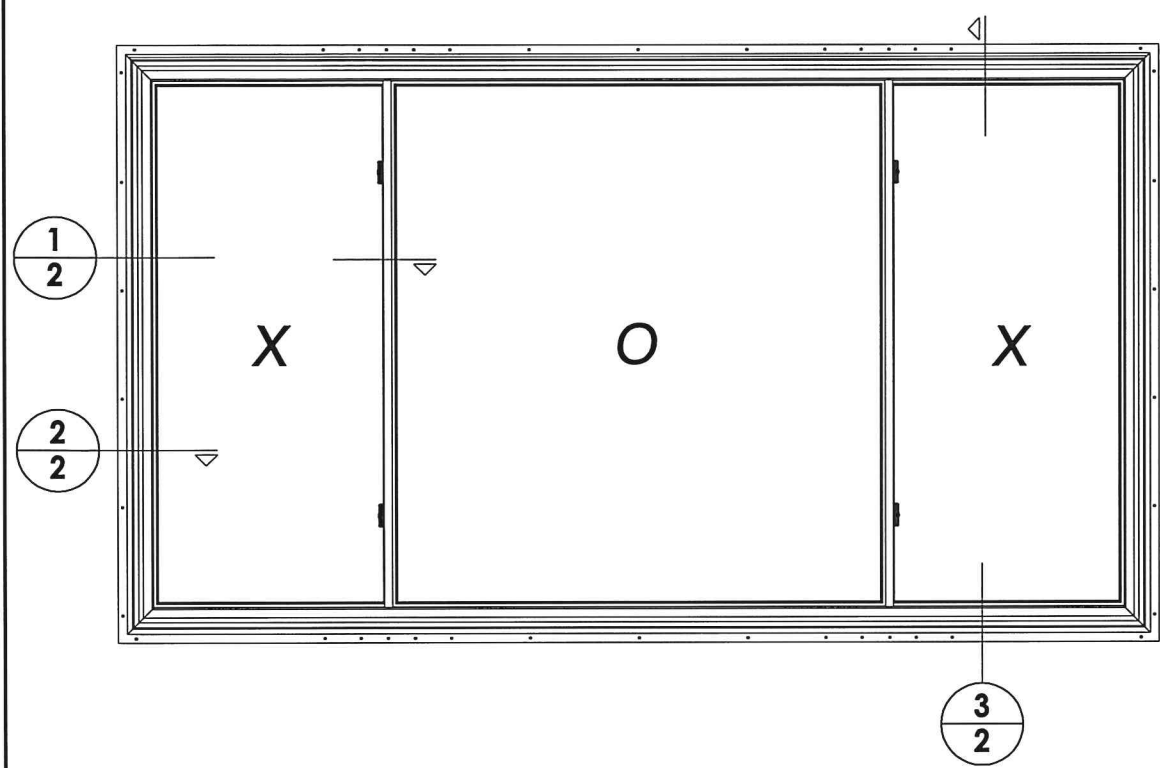
Documents Prepared By:
 Lyndon F. Schmidt
 P.E. No. 43409

R.W. BUILDING CONSULTANTS, INC.
 P.O. Box 230, Valrico, FL 33595
 Phone No.: 813.659.9197
 FBPE C.A. No. 9813

PRODUCT: HORIZONTAL SLIDER
 PART OR ASSEMBLY: TYPICAL ELEVATION, DESIGN PRESSURES & GENERAL NOTES

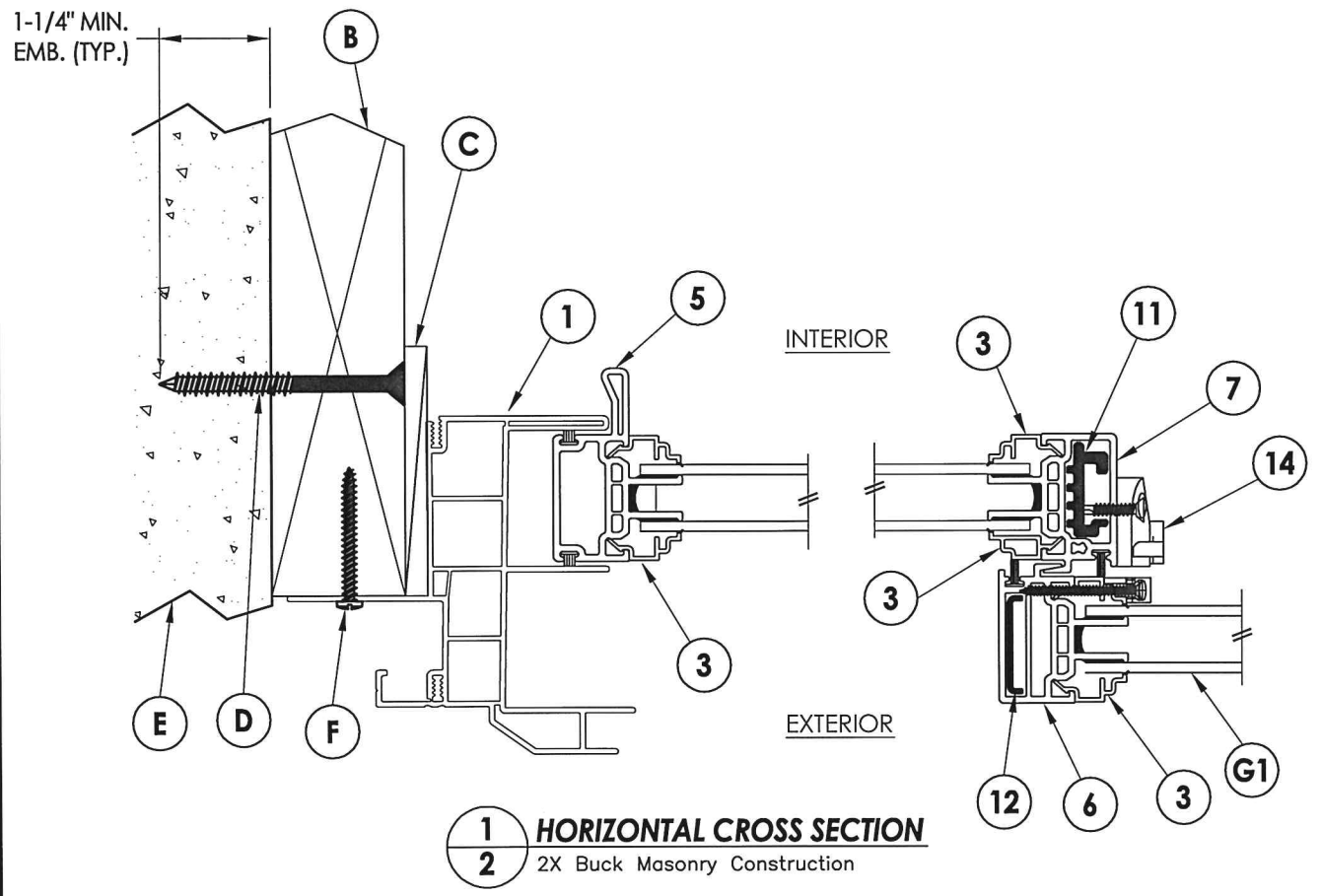
NO.	DATE	REVISIONS
1	6/25/15	UPDATE TO 5TH ED. (2014) FBC

DATE: 4/17/12
 SCALE: N.T.S.
 DWG. BY: JK
 CHK. BY: LFS
 DRAWING NO.: FL-16853.19
 SHEET 1 OF 4

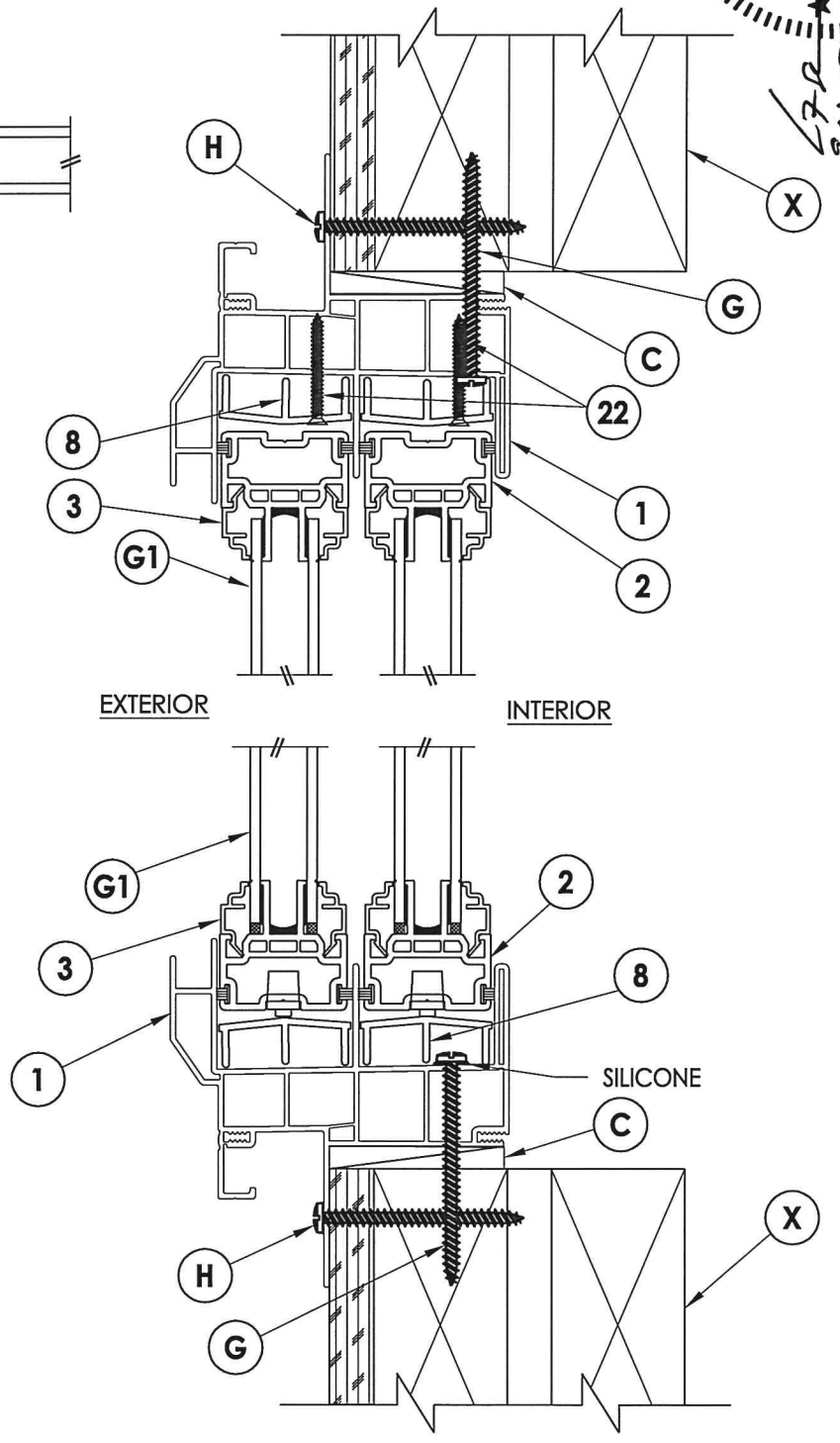


2 HORIZONTAL CROSS SECTION
2 Shown w/ Steel Stud Framing Option

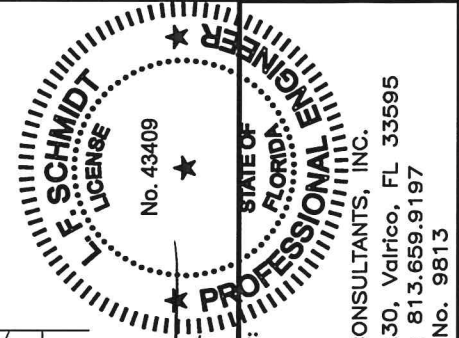
NOTE: Sheet Metal Screws must penetrate a min. of 3 threads through metal (maintain a min. 3/8" edge distance).



1 HORIZONTAL CROSS SECTION
2 2X Buck Masonry Construction



3 VERTICAL CROSS SECTION
2 Stud Construction



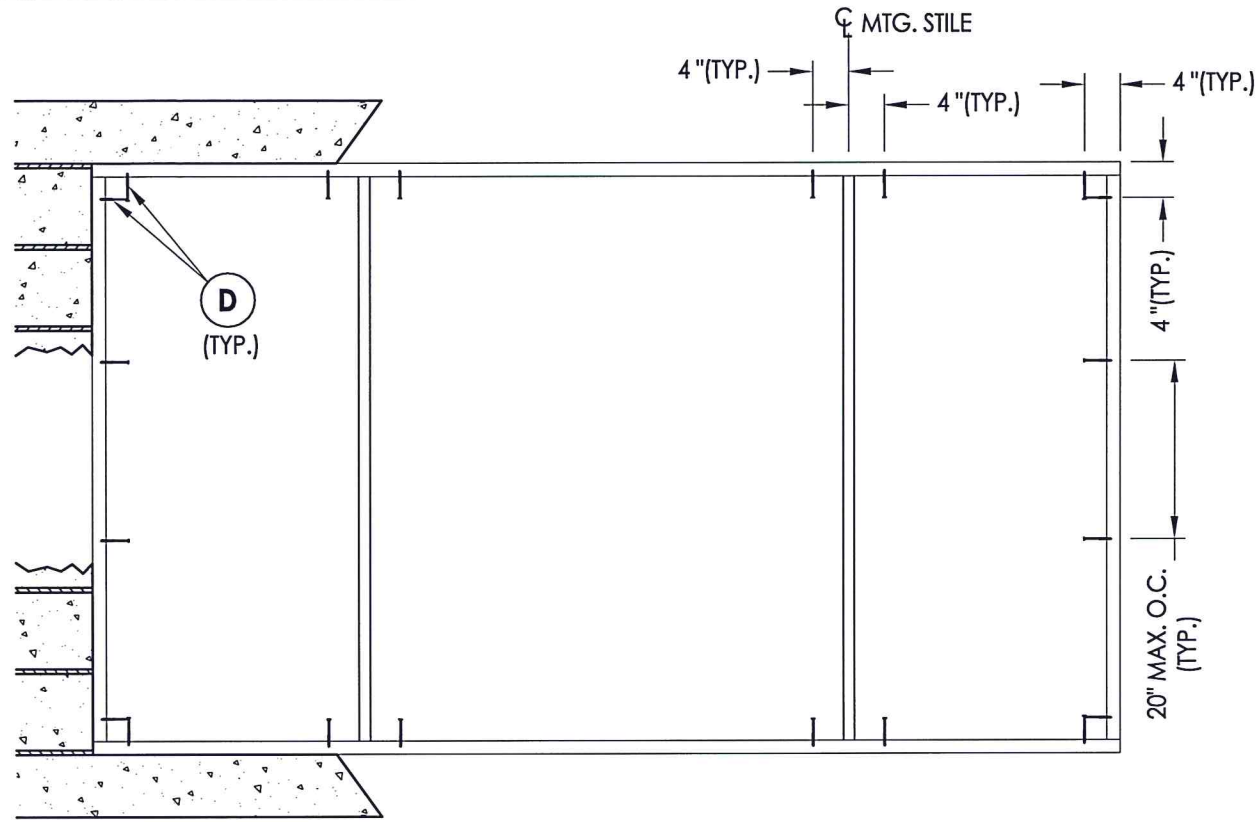
Documents Prepared By:
Lyndon F. Schmidt
P.E. No. 43409

RW BUILDING CONSULTANTS, INC.
P.O. Box 230, Valrico, FL 33595
Phone No.: 813.659.9197
FBPE C.A. No. 9813

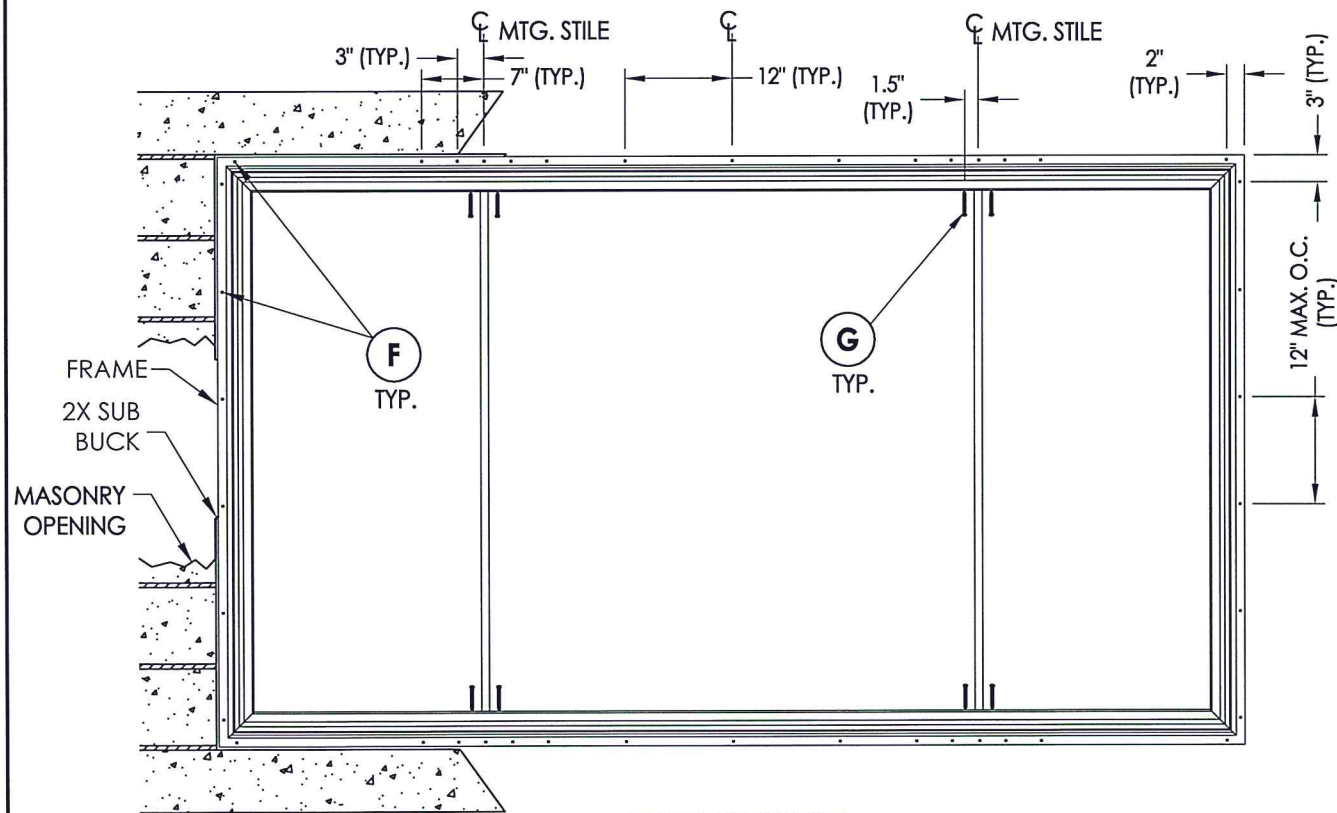
PRODUCT:	HORIZONTAL SLIDER
PART OR ASSEMBLY:	HORIZONTAL AND VERTICAL CROSS SECTIONS

NO.	DATE	DESCRIPTION	BY
1	6/25/15	UPDATE TO 5TH ED. (2014) FBC	LFS

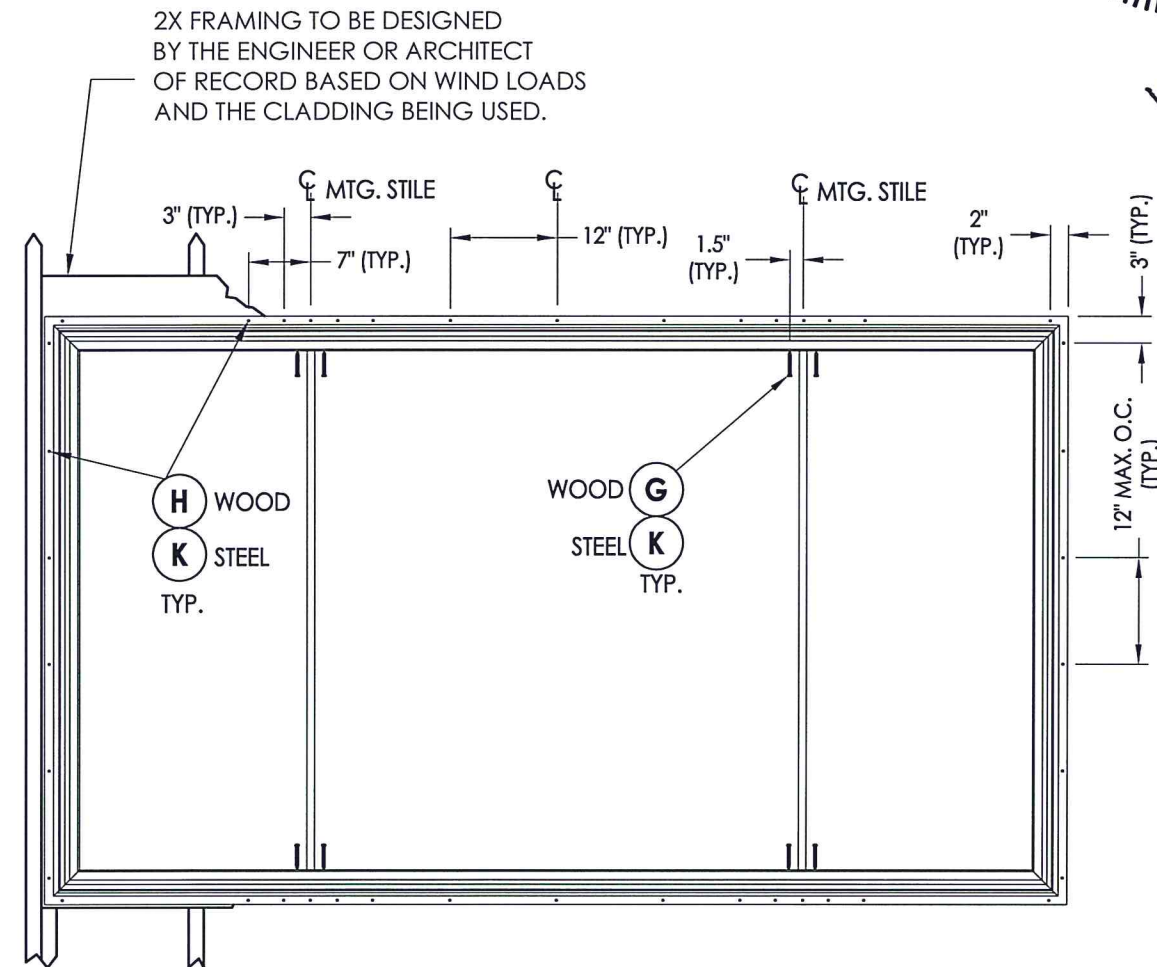
DATE:	4/17/12
SCALE:	N.T.S.
DWG. BY:	JK
CHK. BY:	LFS
DRAWING NO.:	FL-16853.19
SHEET	2 of 4



2X BUCK ANCHORING



FRAME ANCHORING
2X Buck Masonry Construction



FRAME ANCHORING
Stud Construction

2X FRAMING TO BE DESIGNED BY THE ENGINEER OR ARCHITECT OF RECORD BASED ON WIND LOADS AND THE CLADDING BEING USED.

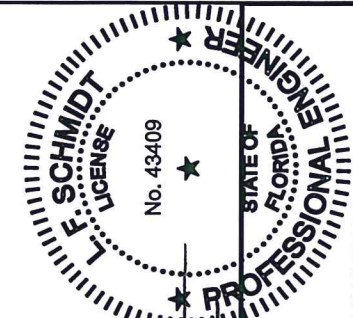
CONCRETE ANCHOR NOTES:

1. Concrete anchor locations at the corners may be adjusted to maintain the min. edge distance to mortar joints.
2. Concrete anchor locations noted as "MAX. ON CENTER" must be adjusted to maintain the min. edge distance to mortar joints, additional concrete anchors may be required to ensure the "MAX. ON CENTER" dimension are not exceeded.
3. Concrete anchor table:

ANCHOR TYPE	ANCHOR SIZE	MIN. EMBEDMENT	MIN. CLEARANCE TO MASONRY EDGE	MIN. CLEARANCE TO ADJACENT ANCHOR
ITW TAPCON®	1/4"	1-1/4"	2"	4"
ELCO ULTRACON®	1/4"	1-1/4"	1"	4"

WOOD SCREW INSTALLATION NOTES:

1. Maintain a minimum 5/8" edge distance, 1" end distance, & 1" o.c. spacing of wood screws to prevent the splitting of wood.



Documents Prepared By:
Lyndon F. Schmidt
P.E. No. 43409

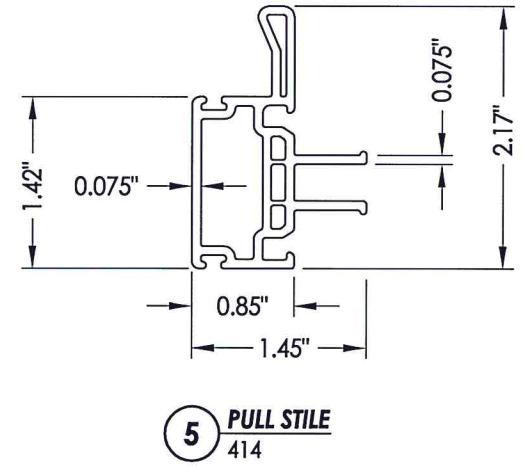
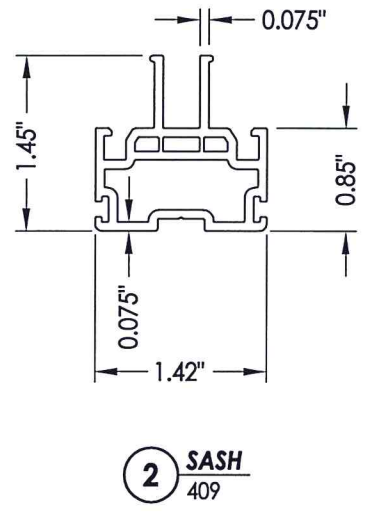
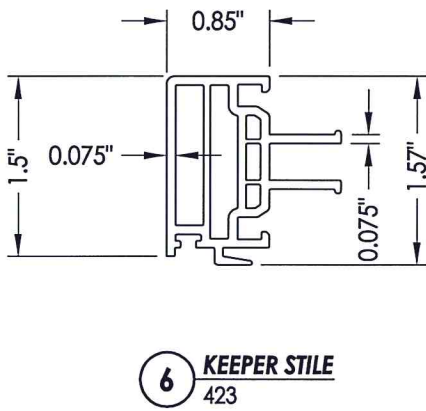
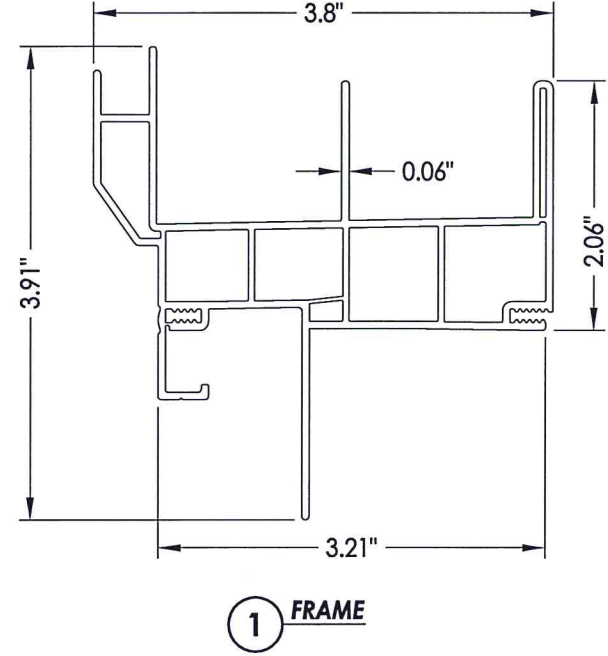
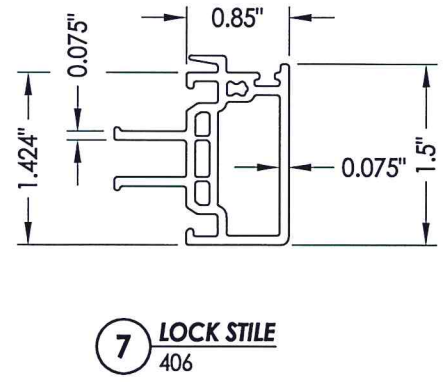
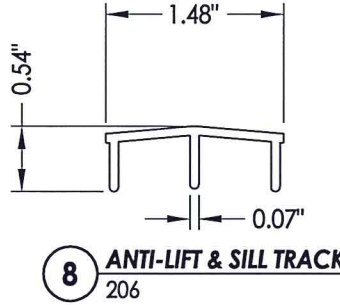
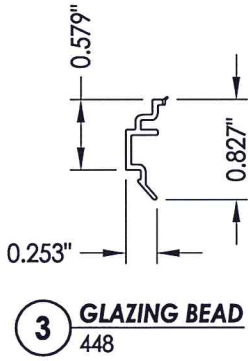
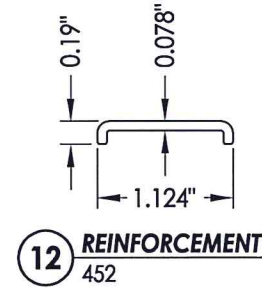
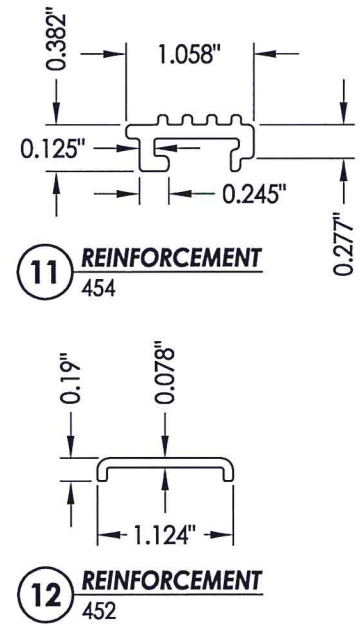
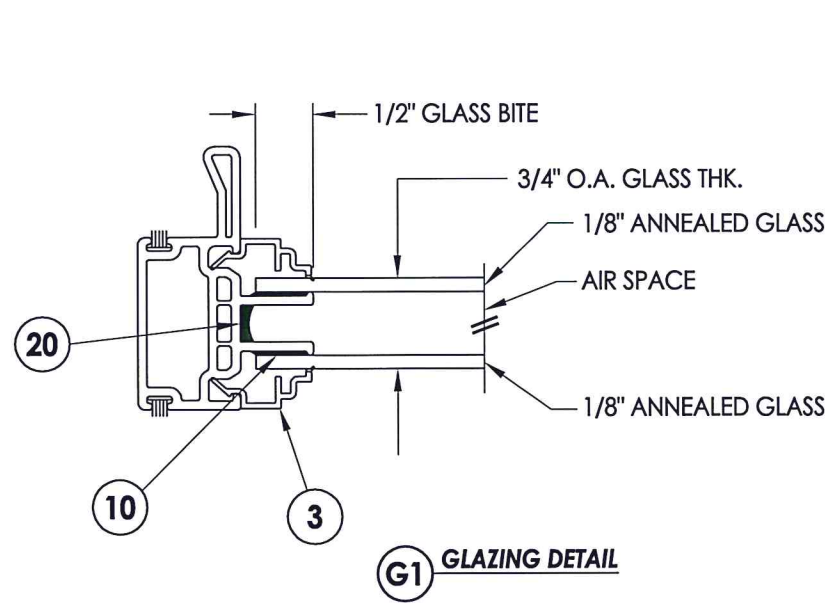
RW BUILDING CONSULTANTS, INC.
P.O. Box 230, Vairico, FL 33595
Phone No.: 813.659.9197
FBPE C.A. No. 9813

PRODUCT:	HORIZONTAL SLIDER
PART OR ASSEMBLY:	BUCK AND FRAME ANCHORING
DATE:	4/17/12
SCALE:	N.T.S.
DWG. BY:	JK
CHK. BY:	LFS
DRAWING NO.:	FL-16853.19
SHEET	3 OF 4

C:\Clients\Doers PERMANENT\Florida Product Approvals\FL-16853 Windows - Horizontal Sliders\C - Drawings\FL-16853 (2014)\FL-16853.19-25.dwg, 4.19

BILL OF MATERIALS		
ITEM #	DESCRIPTION	MATERIAL
B	2X BUCK (SG >= 0.42)	WOOD
C	1/4" MAX. SHIM SPACE	-
D	1/4" X 2-3/4" PFH ELCO OR ITW CONCRETE SCREW	STEEL
E	MASONRY - 3,000 PSI MIN. CONCRETE CONFORMING TO ACI 301 OR HOLLOW BLOCK CONFORMING TO ASTM C90	CONCRETE
F	#10 X 1-1/2" PPH SMS (1-3/8" MIN. EMBEDMENT)	STEEL
G	#10 X 2-1/2" PPH SMS (1-1/4" MIN. EMBEDMENT)	WOOD
H	#10 X 2" PPH SMS (1-3/8" MIN. EMBEDMENT)	STEEL
J	STEEL STUD Min. Thk .033" (ASTM A653 GRADE 33 Fy=33 ksi min., Fu=45 ksi min.)	STEEL
K	#10 PPH SELF-DRILLING SMS	STEEL
X	2X STUD (SG >= 0.42)	WOOD
1	FRAME *	PVC
2	RAIL *	PVC
3	GLAZING BEAD *	PVC
5	PULL STILE*	PVC
6	KEEPER STILE*	PVC
7	MEETING STILE*	PVC
8	ANTI-LIFT & SILL TRACK*	PVC
10	GLAZING SILICONE (SashSeal)	-
11	REINFORCEMENT (6065-T5)	ALUM
12	REINFORCEMENT (6065-T5)	ALUM
14	LOCK ASSEMBLY (TRUTH)	STEEL
20	LIQUID APPLIED DESICCANT (SashDri)	-
22	#6 X 1-1/4" PFH SMS	STEEL

* THE APPROVED WHITE RIGID PVC EXTERIOR EXTRUSIONS FOR WINDOWS ARE TO BE PRODUCED BY EXTRUDERS LICENSEES IN "AAMA CERTIFICATION PROGRAMS FOR RIGID PVC EXTRUSIONS".



Lyndon F. Schmidt
P.E. No. 43409

Documents Prepared By:
RW
R.W. BUILDING CONSULTANTS, INC.
P.O. Box 230, Vairico, FL 33595
Phone No.: 813.659.9197
FBPE C.A. No. 9813

PRODUCT:	HORIZONTAL SLIDER
PART OR ASSEMBLY:	BILL OF MATERIALS, GLAZING DETAIL & COMPONENTS
DATE:	4/17/12
SCALE:	N.T.S.
DWG. BY:	JK
CHK. BY:	LFS
DRAWING NO.:	FL-16853.19
SHEET	4 OF 4

© 2014 R.W. BUILDING CONSULTANTS INC.